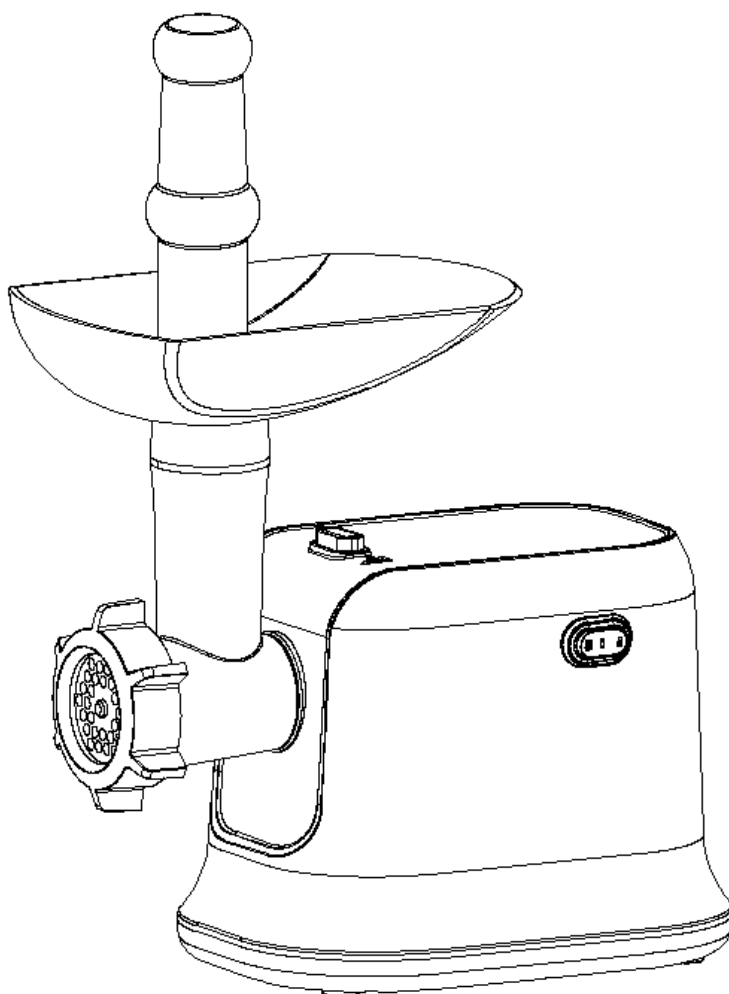


INSTRUCTION MANUAL

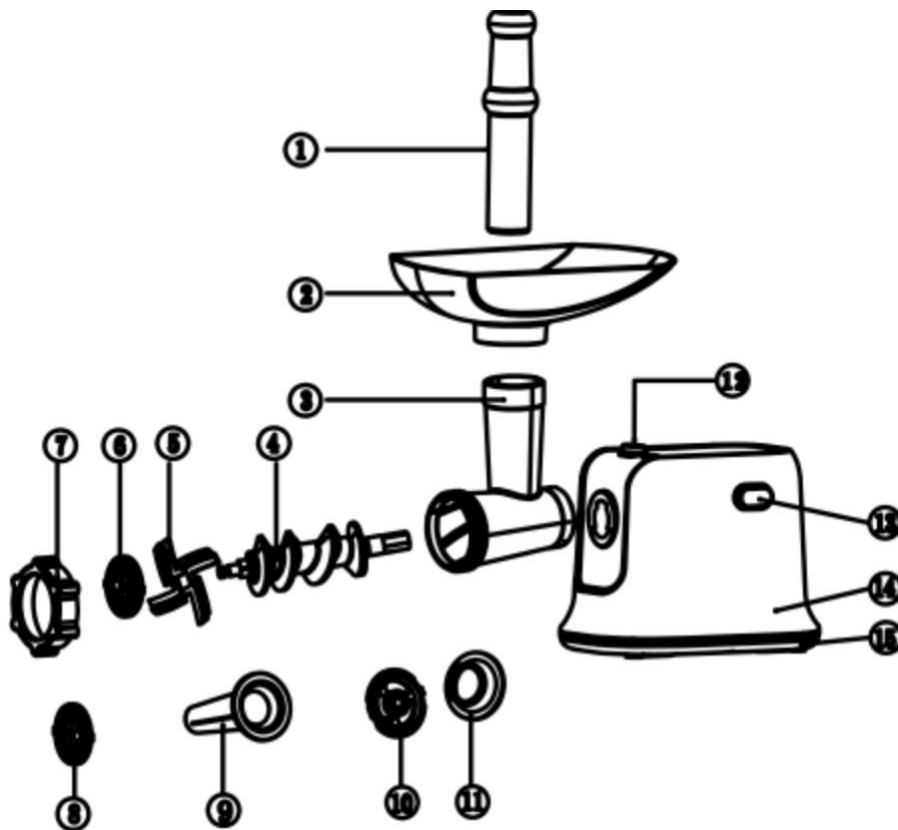
MEAT GRINDER

Model: SAVORY

Please read carefully and keep the instruction well



DESCRIPTION



1. Food pusher	8. Grinding disc (Coarse)
2. Plastic tray	9. Sausage Tube
3. Feeding Tube	10&11. Kebbe Attachment
4. Feeding screw	12. Lock Button
5. S.S Cross knife	13. ON/O/R Switch Button
6. Grinding disc (Medium)	14. Body
7. Fixing ring	15. Bottom Cover

INTRODUCTION

This appliance is equipped with a thermostat system. This system will automatically cut off the power supply to the appliance in case of overheating.

If you appliance suddenly stops running:

1. Pull the mains plug out of the socket.
2. Press the switch button to turn off the appliance.
3. Let the appliance cool down for 60 minutes.
4. Put the mains plug in the socket.
5. Switch the appliance on again.
6. This appliance shall not be used by children. Keep the appliance and its cord out of reach of children.
7. Appliances can be used by persons with reduced physical, sensory or mental capabilities or lack of experience and knowledge if they have been given supervision or instruction concerning use of the appliance in a safe way and if they understand the hazards involved.
8. Children shall not play with the appliance.
9. Switch off the appliance and disconnect from supply before changing accessories or approaching parts that move in use.

Please contact your dealer or an authorized service center if the thermostat system is activated too often.

If you plug in, the indicator light will be on.

CAUTION: In order to avoid a hazardous situation, this appliance must never be connected to a time switch.

IMPORTANT

1. Read these instructions for use carefully and look at the illustrations before using the appliance.

2. Before use, tight the fixing ring by spanner, make sure the ring can not be detach by 4 Nm.
3. Keep these instructions for future reference.
4. Check if the voltage indicated on the appliance corresponds to the local mains voltage before you connect the appliance.
5. Never use any accessories of parts from other manufacture .Your guarantee will become invalid if such accessories or parts have been used.
6. Do not use the appliance if the mains cord, the plug or other parts are damaged.
7. If the power cord of this appliance is damaged, it must always be replaced by manufacture or a service center authorized, in order to avoid hazardous situations.
8. Thoroughly clean the parts that will come into contact with food before you use the appliance for the first time.
9. Unplug the appliance immediately after use.
10. Never use your finger or an objection to push ingredients down the feed tube while the appliance is running. Only the pusher is to be used for this purpose.
11. Keep the appliance out of the reach of children.
12. Never let the appliance run unattended.
13. Switch the appliance off before detaching and install any accessory.
14. Wait until moving parts have stopped running before you remove the parts of the appliance.
15. Never immerse the motor unit in the water or any other liquid, nor rinse it under the tap. Use only a moist cloth to clean the motor unit.
16. Do not attempt to grind bones, nuts or other hard items.
17. Never reach into the cutter housing. Always use the pusher.
18. Miners are fed with sinewless, boneless and fatless beef that has been cut into pieces approximately 20 mm x 20 mm x 60 mm. Pushers are pressed with a force of 5N against the meat. Do not use the appliance for more than 5 minutes consecutively. Leave the appliance to cool for 10 minutes before using again.
19. Accessories shall include instructions for their safe use.
20. It shall warn of potential injury from misuse.
- ⚠ 21. This appliance is not intended for use by persons (including children) with reduced physical, sensory or mental capabilities, or lack of experience and knowledge, unless they have been give supervision or instruction concerning use of the appliance by a

person responsible for their safety.

22. Children should be supervised to ensure that they do not play with the appliance.
23. If the appliance is locked, please press Reversal button(REV). The meat locked in cutter housing is untrodden, so the appliance can renew its usual condition.
24. Disposal of appliances and batteries.
25. After the implementation of the European Directive 2002/96/EU in the national legal system, the following applies:
26. Electrical and electronic devices may not be disposed of with domestic waste. Consumers are obliged by law to return electrical and electronic devices at the end of their service lives to the public collecting points set up for this purpose or point of sale. Details to this are defined by the national law of the respective country. This symbol on the product, the instruction manual or the package indicates that a product is subject to these regulations. By recycling, reusing the materials or other forms of utilising old devices, you are making an important contribution to protecting our environment.
27. This appliance can be used by children aged from 8 years and above if they have been given supervision or instruction concerning use of the appliance in a safe way and if they understand the hazards involved. Cleaning and user maintenance shall not be made by children unless they are aged from 8 years and above and supervised. Keep the appliance and its cord out of reach of children aged less than 8 years.
28. This appliance is intended to be used in household and similar applications such as:
 - staff kitchen areas in shops, offices and other working environments;
 - farm houses;
 - by clients in hotels, motels and other residential type environments;
 - bed and breakfast type environments.

INSTRUCTION FOR USE

ASSEMBLING

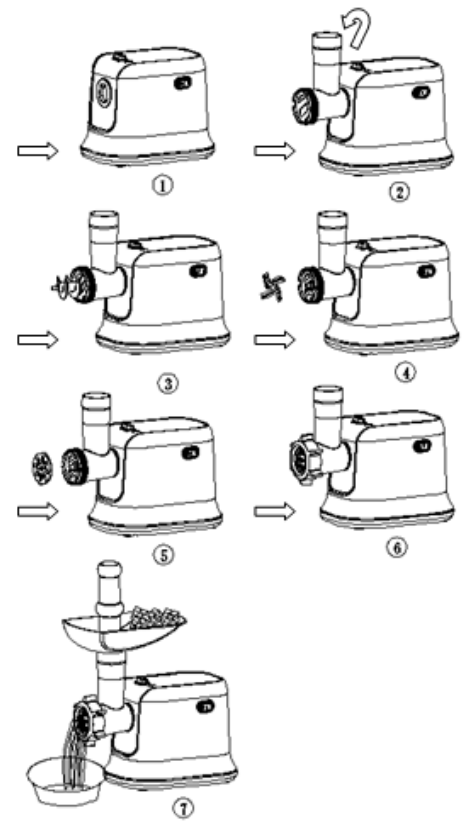
Press the fasten button, hold the head and insert it into the inlet (when inserting please pay attention the head must be slanted as



◆ per arrow indicated on the top, see fig.1),

◆ then move the head anticlockwise so that

- ◆ the head being fastened tightly .(fig.2)
- ◆ Place the snake into the head, long end first,
- ◆ and turn to feed the screw slightly until it is
- ◆ set into the motor housing (fig.3).
- ◆ Place the cutting blade onto the snake shaft
- ◆ with the blade facing the front as illustrated
- ◆ (fig.4).If it is not fitted properly, meat will
- ◆ not be grinded.
- ◆ Place the desired cutting plate next to the
- ◆ cutting blade, fitting protrusions in the slot (fig.5).
- ◆ Support or press the center of the cutting
- ◆ plate with one finger then screw the fixing ring
- ◆ tight with another hand (fig.6). Do not over tighten.
- ◆ Place the hopper plate on the head and fix it into position.
- ◆ Locate the unit on a firm place.
- ◆ The air passage at the bottom and the side of the motor housing should be kept free and not blocked.



Mincer

1. Insert the worm shaft into the cutter housing, the plastic end first.

Place the cutter unit onto the worm shaft. (The cutting edges should be at the front)
 Place the medium grinding disc or coarse grinding disc (depending on the consistency you prefer) onto the worm shaft. (Make sure the notch of the grinding disc fit onto the projections of the mincer head.) Turn the screw ring in the direction of the arrow on the cutter housing until it is properly fastened.

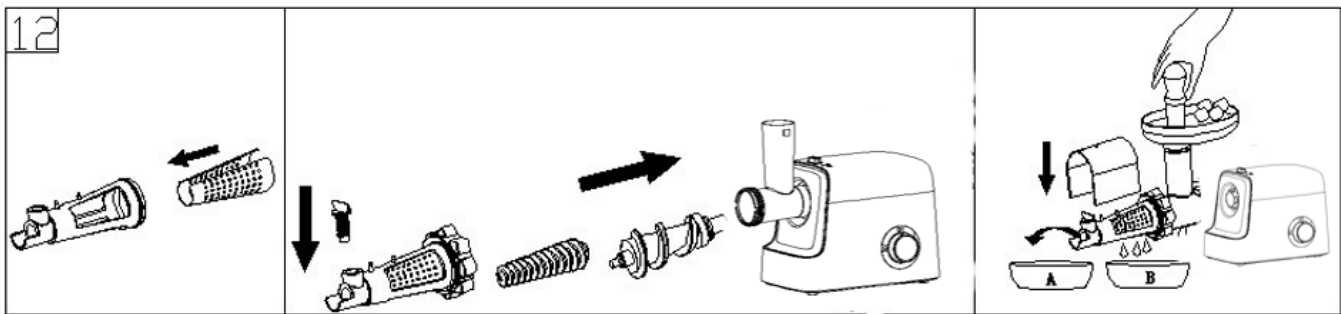
2. Attach the cutter housing to the motor unit.
3. Place the tray on the upright part of the cutter housing.
4. Now the appliance is ready for mincing.

Cut the meat into 10cm-long, 2cm-thick strips. Remove bones, pieces of gristle and sinews as much as possible. (Never use frozen meat!)

Put the meat in the tray. Use the pusher to gently push the meat into the cutter housing. (For steak tartare , mince the meat with the medium grinding disc twice.)

Pressing Tomatoes

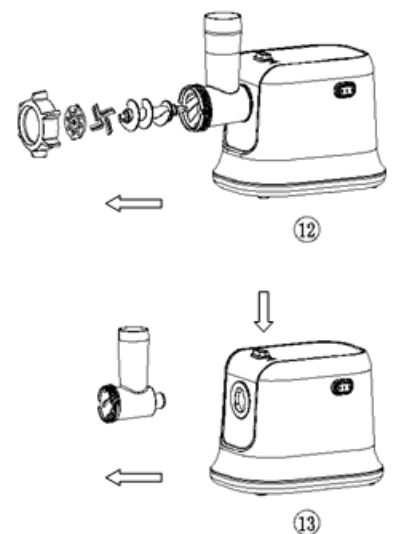
- ◆ Please follow the picture on the way to the tomatoes accessories installed.(fig.12)
- ◆ Please put the tomatoes into the Hopper plate after the tomatoes are washing clear. And then use the food pusher to pressure down.



HOW TO CLEAN YOUR APPLIANCES

Meat left behind in the cutter housing may be removed from the inside of the appliance by passing a slice of bread through the cutter housing.

1. Before you clean the appliance, switch the appliance off
2. and remove the plug from the socket.(fig.12)
3. Press the release button and turn the whole cutter housing
4. in the direction of the arrow. Remove the pusher and the
5. tray.(fig.13)
6. Unscrew the screw ring and remove all parts of the cutter
7. housing. Do not clean the parts in the dishwasher!



8. Wash all parts that have come into contact with meat in
9. hot soapy water. Clean them immediately after use.
10. Rinse them with clear hot water and dry them immediately.
11. We advise you to lubricate the cutter unit and the grinding discs
12. with some vegetable oil.



Waste electrical and electronic equipment are a special waste category, collection, storage, transport, treatment and recycling are important because they can avoid environmental pollution and are harmful to health. Submitting waste electrical and electronic equipment to special collection centers makes the waste to be recycled properly and protecting the environment. Do not forget! Each electric appliance that arrives at the landfill, the field, pollutes the environment!



Importer & distributor:

SC VITACOM ELECTRONICS SRL

CIF: RO 214527

Tel. 0264-438401*

sales@vitacom.ro, www.vitacom.ro